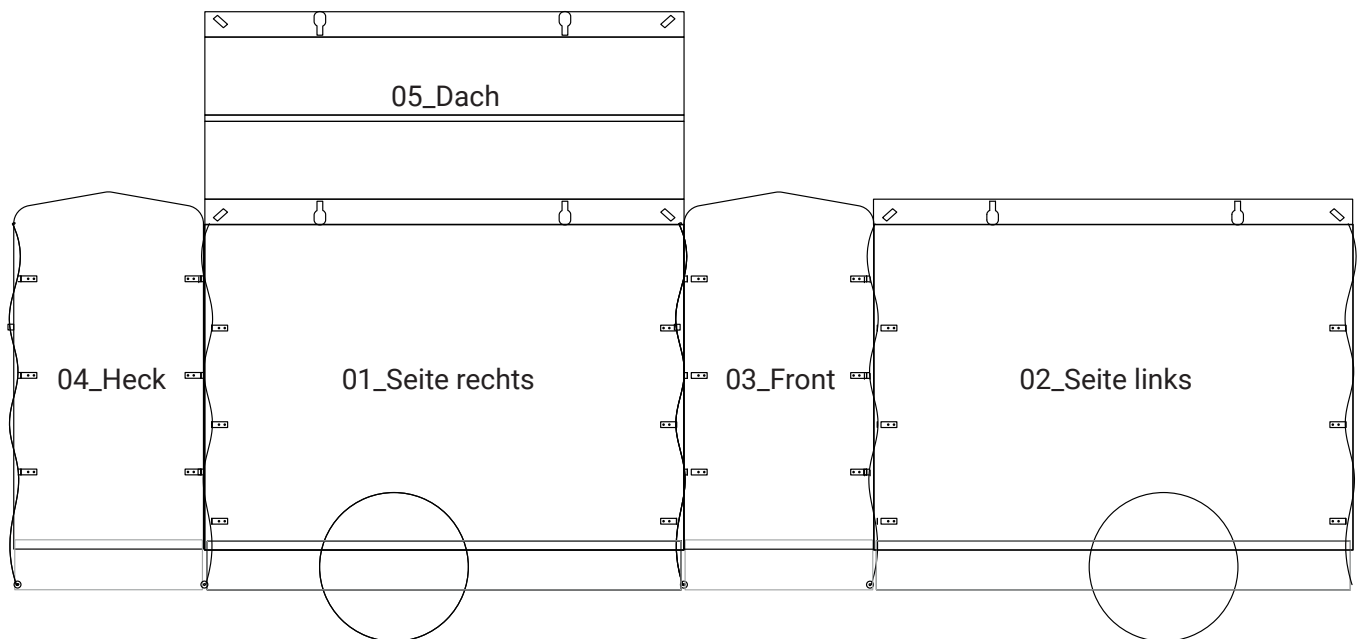


Planenaufbau CarlaCargo

// Abwicklung vollflächig bedruckbarer Plane

Artikel: CC04-02

Datum: 12.05.2021



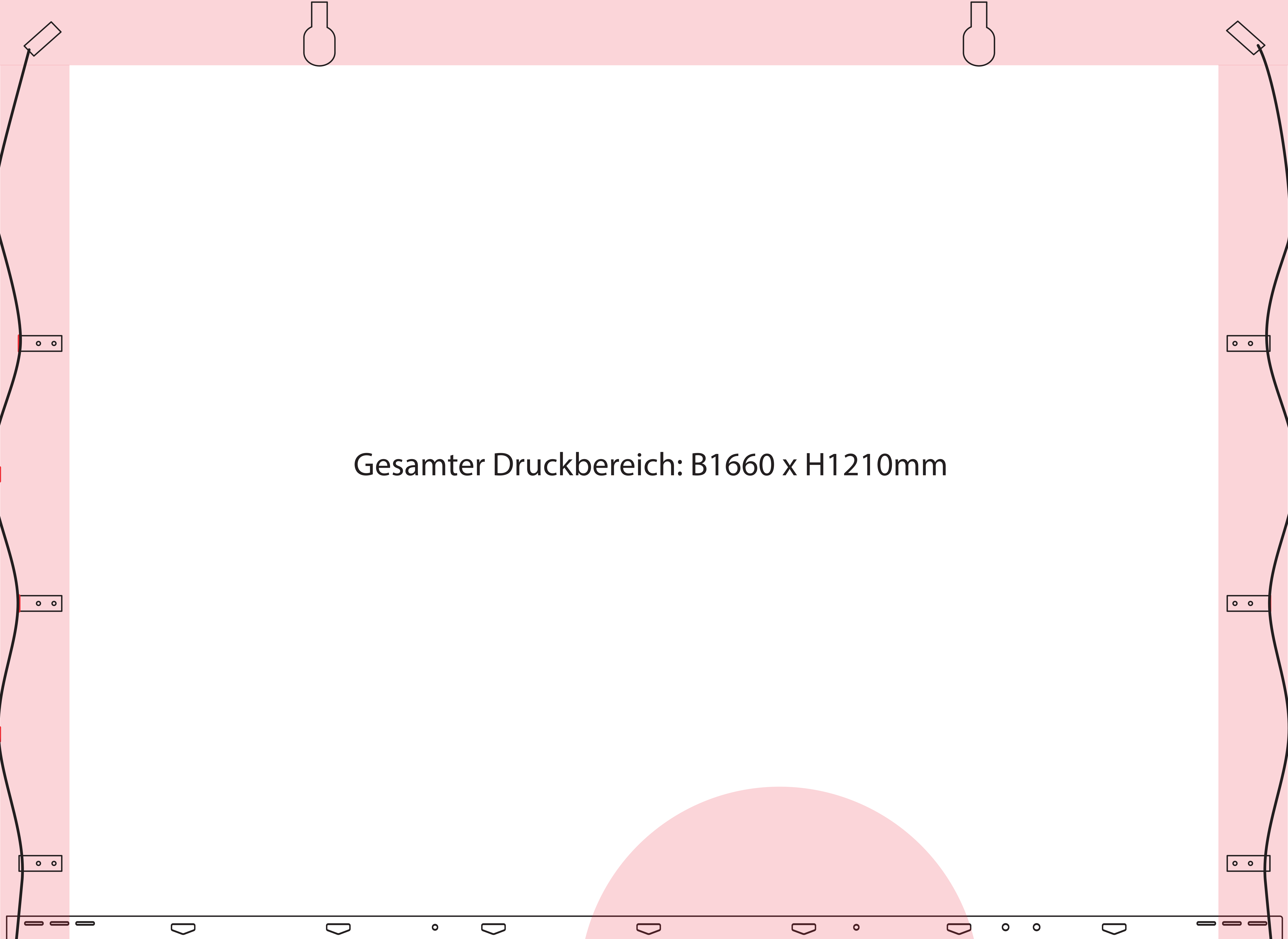
Anforderungen:

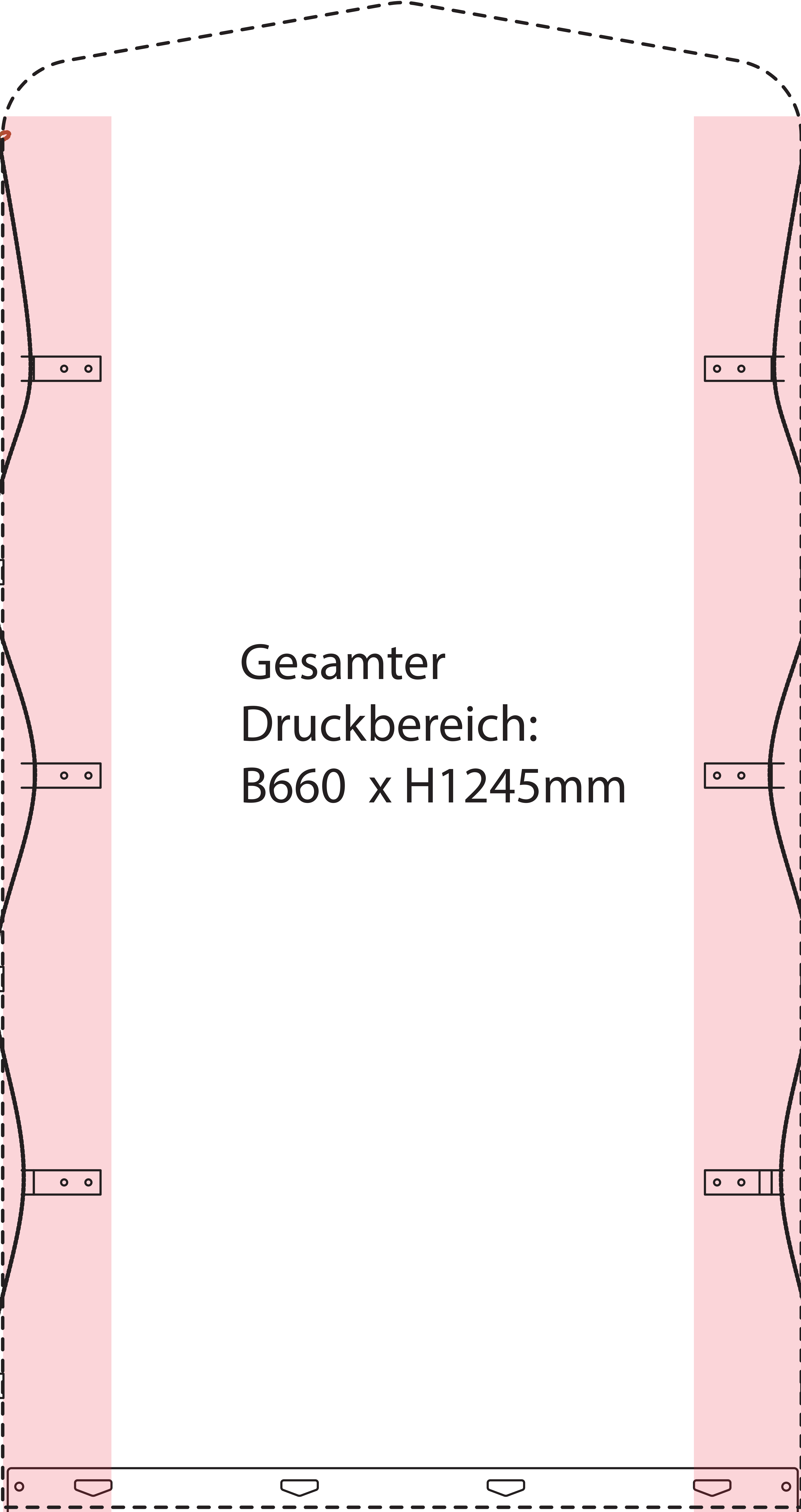
- Vektorgrafik (vorzugsweise PDF) in CMYK (alternativ .jpg in 300dpi)
- Nutzung der Druckvorlagen, 5 Dateien
- vektorisierte Schriftzüge/Fonts
- für Grafik Position des Laufrades beachten (siehe Kreis)
- auf Bereiche mit Bauteilen der Plane achten

Gesamter Druckbereich: B1660 x H1210mm



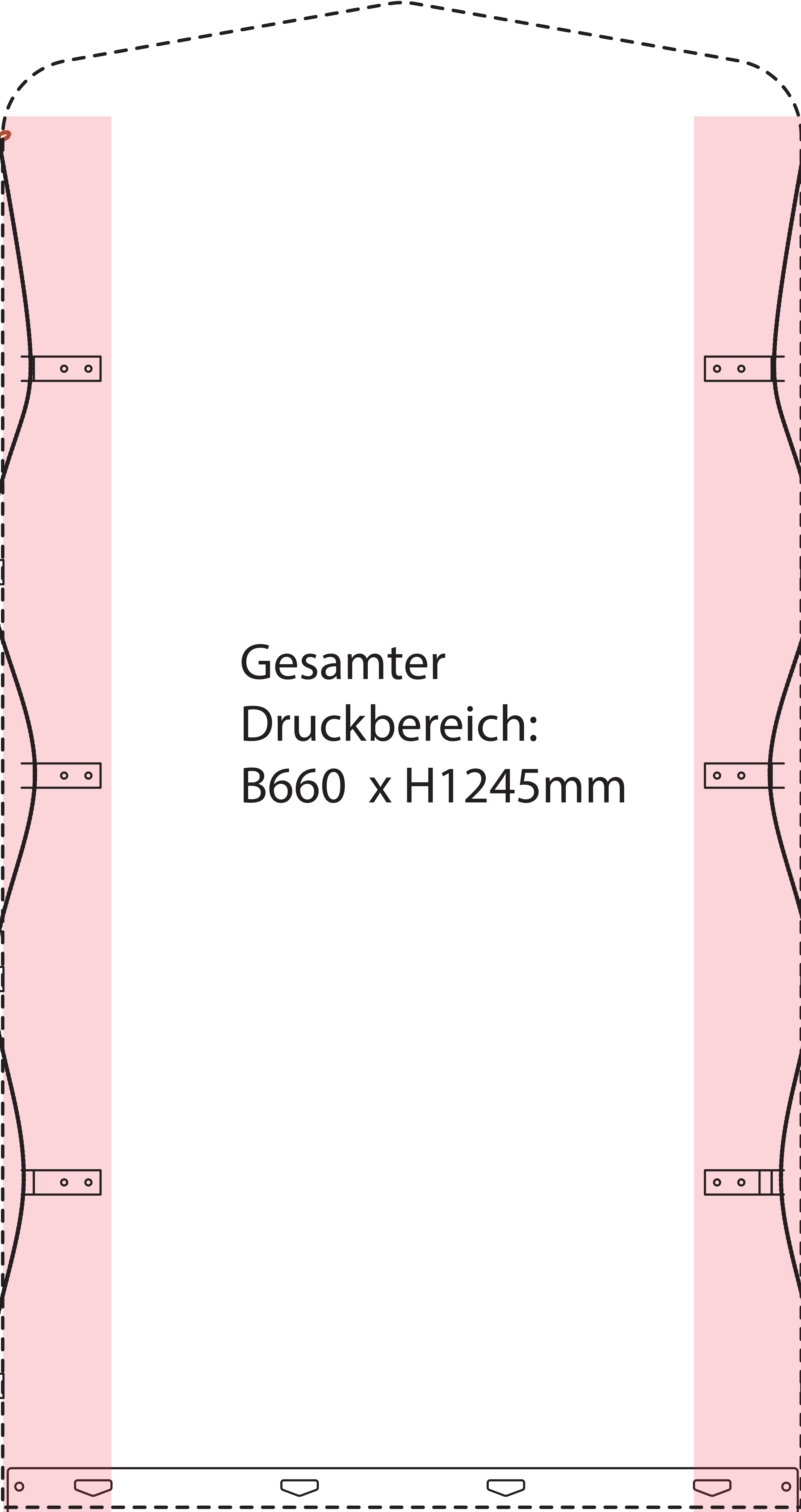
Gesamter Druckbereich: B1660 x H1210mm





The image shows a technical drawing of a rectangular frame with rounded corners. The frame is defined by a dashed black line. On the left and right sides, there are vertical pink shaded panels. Each panel has three rectangular cutouts, one near the top, one in the middle, and one near the bottom. Each cutout contains two small circles. At the top-left corner, there is a small orange circle. At the bottom, there are four trapezoidal shapes, two on the left and two on the right, with a small circle at the outer end of each. The text is centered in the white area of the frame.

Gesamter
Druckbereich:
B660 x H1245mm



The image shows a technical drawing of a rectangular frame with rounded corners. The frame is defined by a dashed black line. Two vertical side panels, shaded in light red, are attached to the left and right sides. Each side panel has three rectangular cutouts, one near the top, middle, and bottom. Each cutout contains two small circles, representing fasteners or rivets. The top and bottom edges of the frame are also rounded. At the bottom edge, there are four small, downward-pointing trapezoidal shapes, likely representing feet or mounting points. The text is centered in the white area of the frame.

Gesamter
Druckbereich:
B660 x H1245mm

Gesamter Druckbereich: B560x L1660mm