

Manual

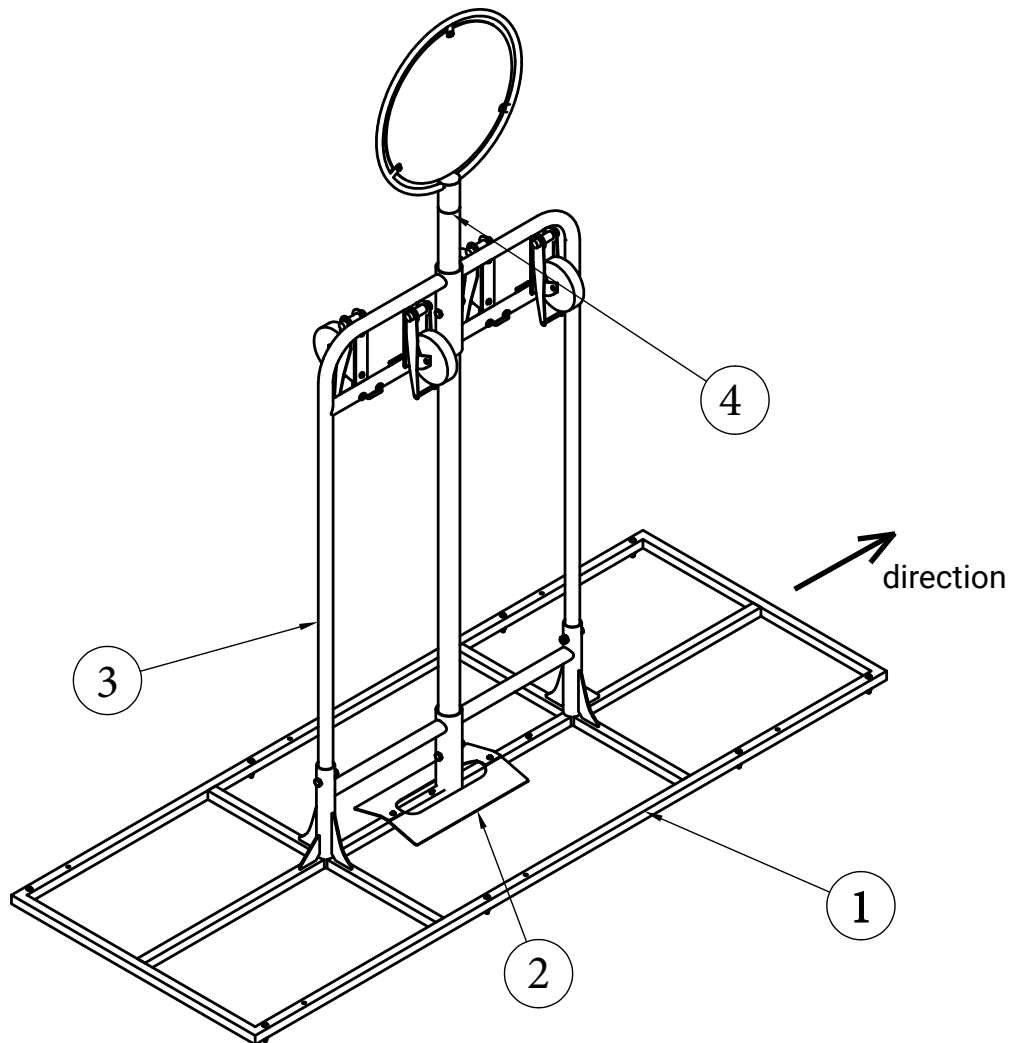
// Bruce Bike

date: 08.11.2021

Content

1. Overview components
2. Installation of cover for the brake booster
3. Installation of pipe bend
4. Installation of optional bar with sign holder
5. Installation on CARLA and eCARLA

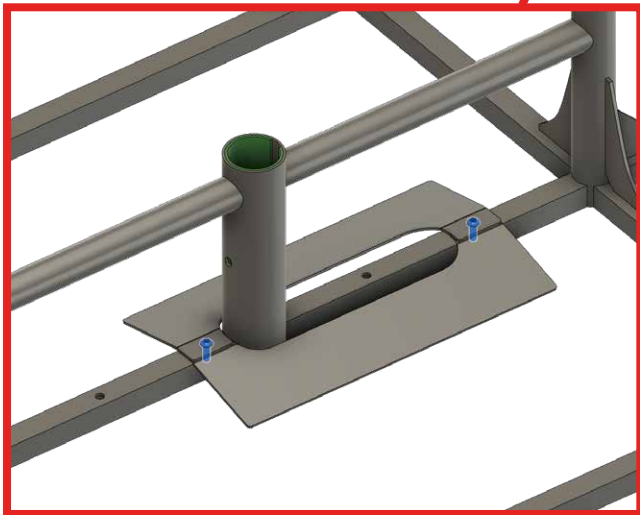
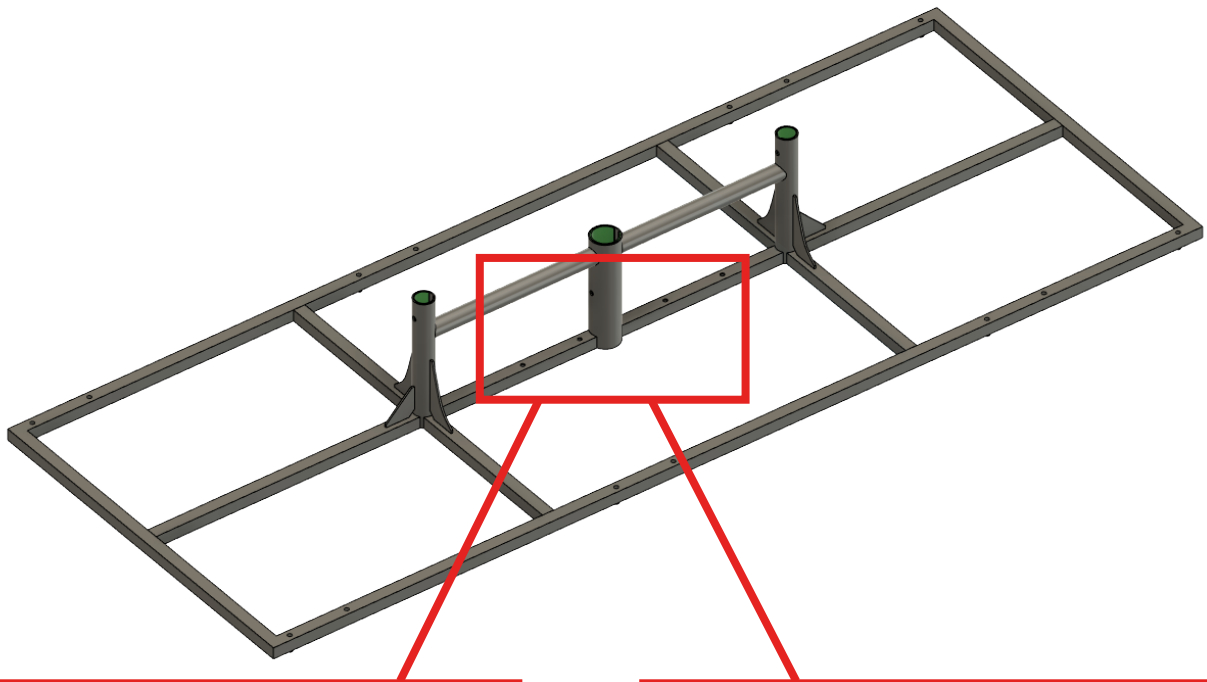
1. Overview components



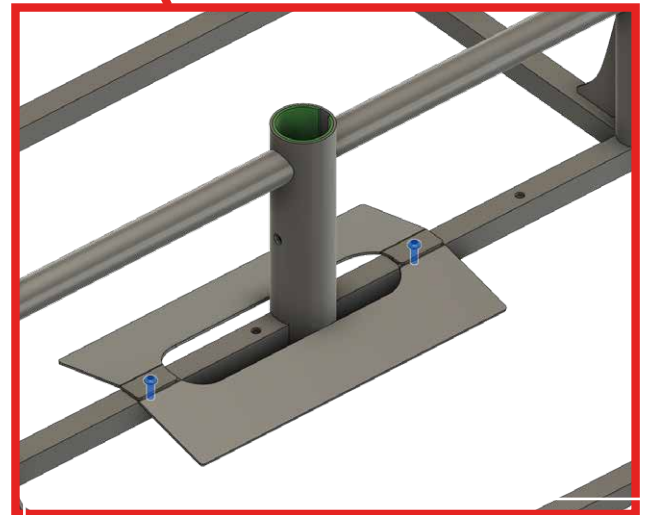
Bezeichnung

- | | |
|---|-------------------------------|
| 1 | Basic frame |
| 2 | Cover for brake booster |
| 3 | Pipe bend |
| 4 | Optional bar with sign holder |

2. Installation of cover for the brake booster



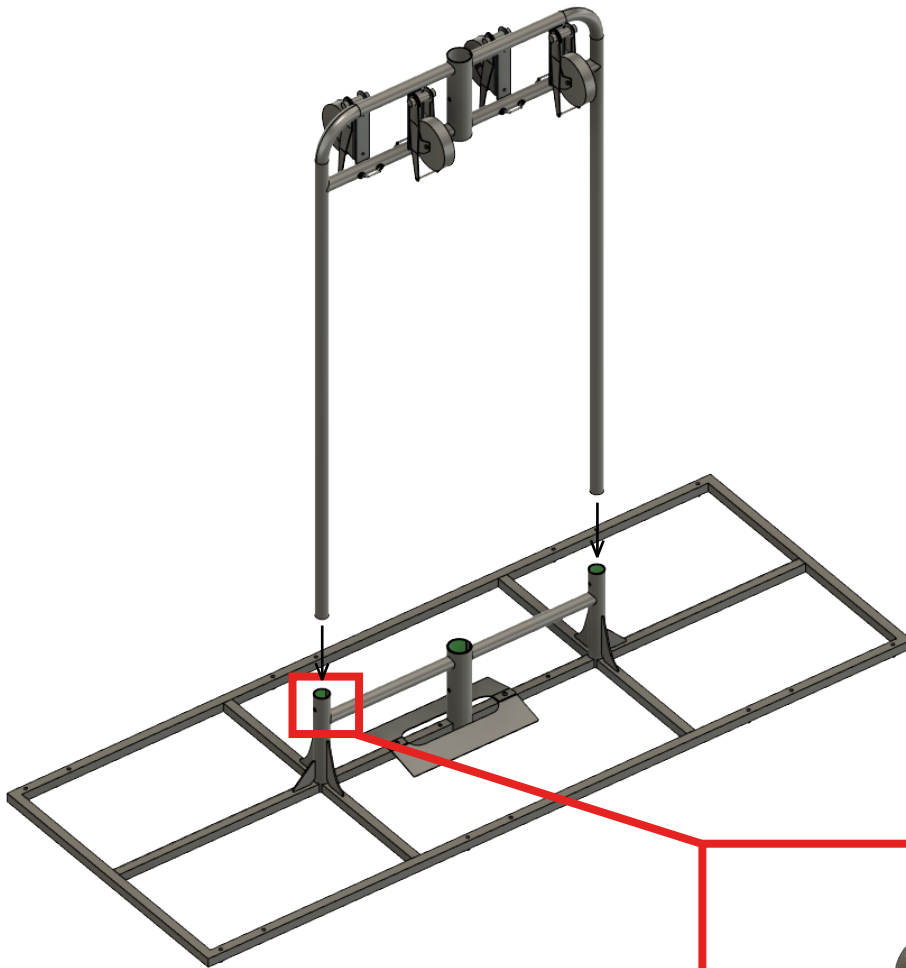
eCARLA



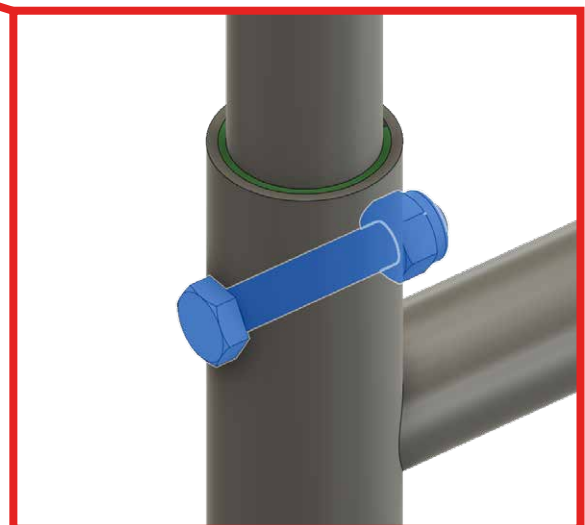
CARLA

2x M5x16 screws

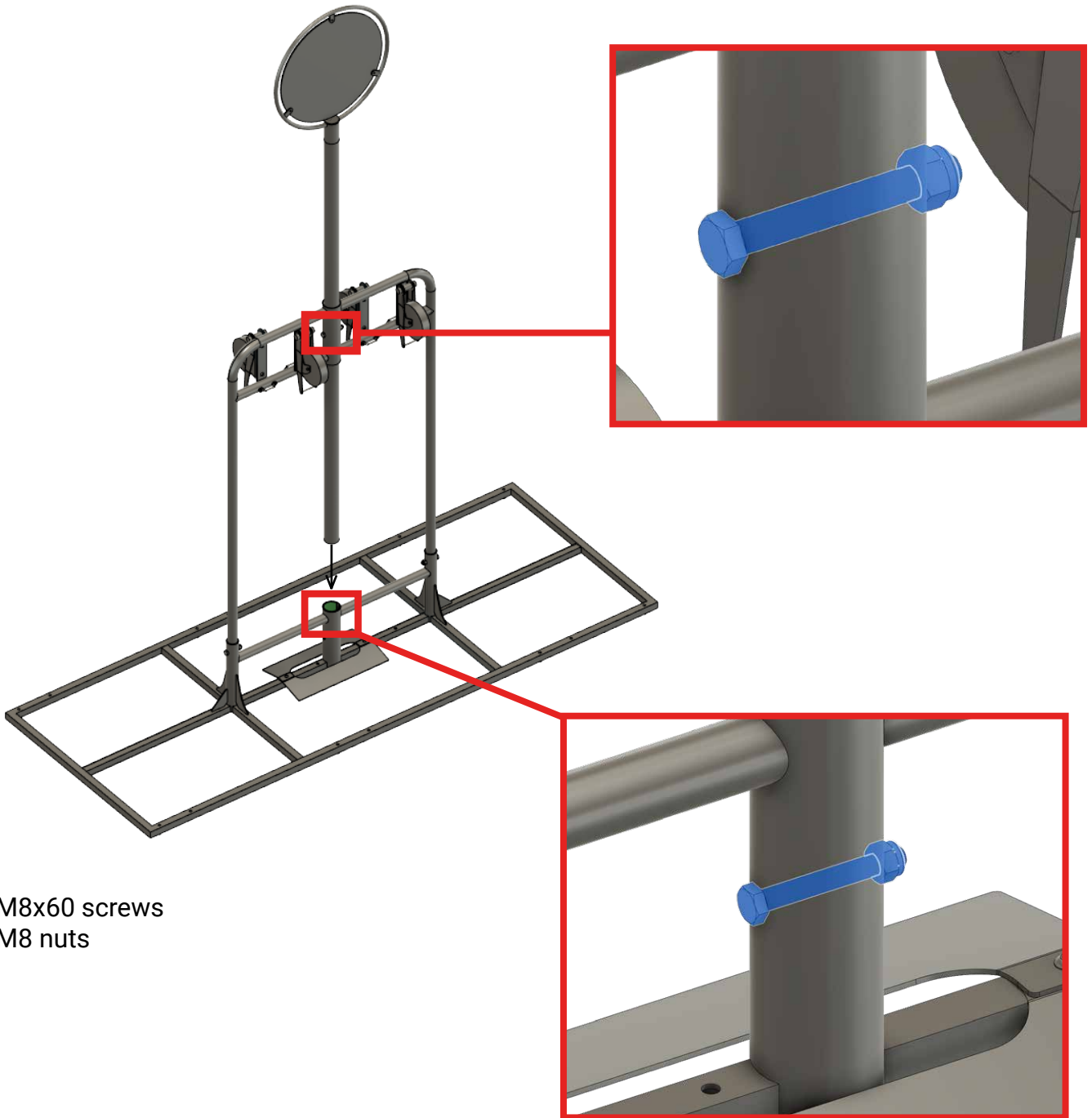
3. Installation of pipe bend



2x M8x45 screws
2x M8 nuts

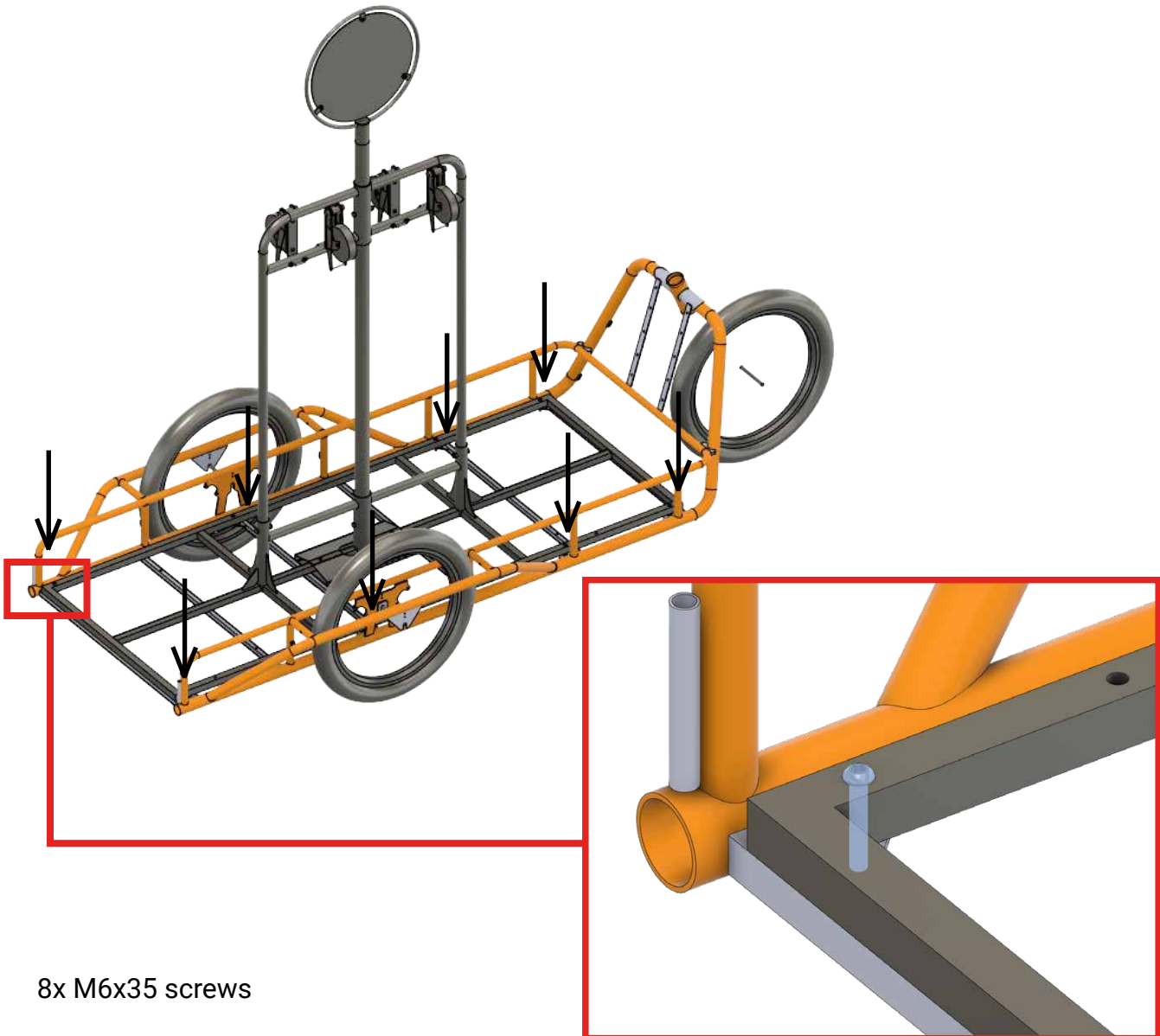


4. Installation of optional bar with sign holder



2x M8x60 screws
2x M8 nuts

5. Installation on CARLA



5. Installation on eCARLA

