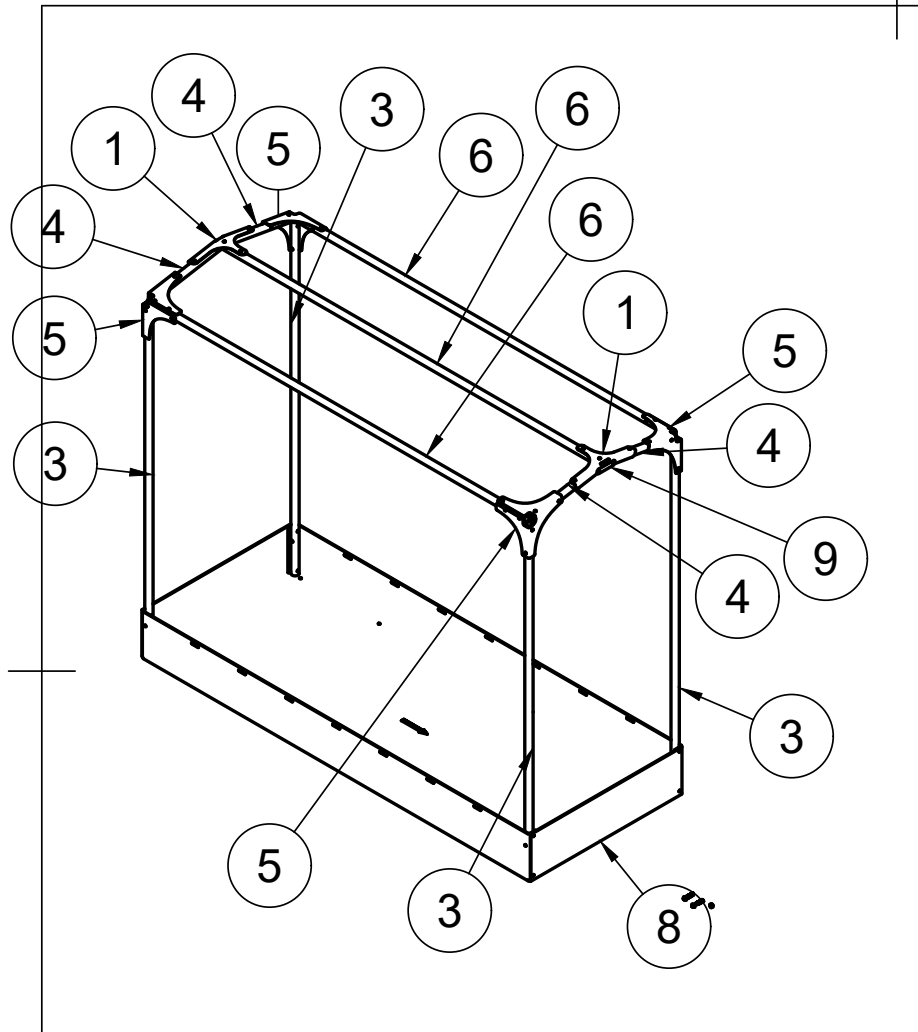


Manual

// Tarpauline CarlaCargo

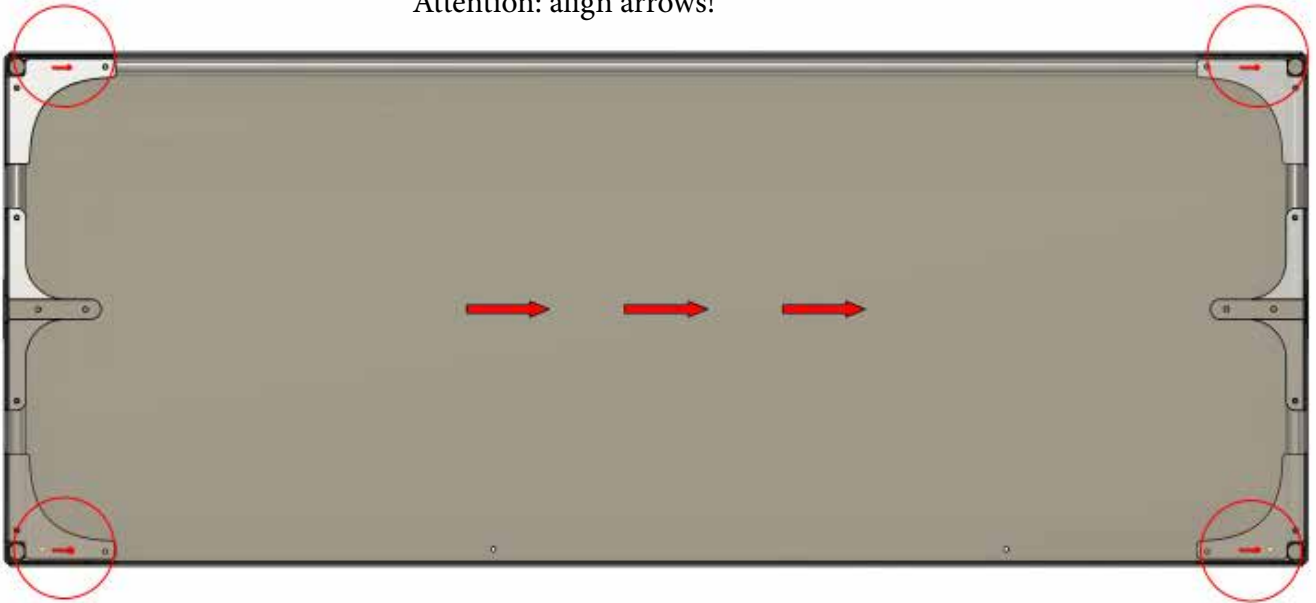
Article: CC02-02

Date: 29.07.2020



Item	Part
1	T-connector
3	Tubes (lateral)
4	Tubes (roof, short side)
5	Corner connector (4 different, see engraved arrows)
6	Tubes (roof, long side)
7	Tub
8	T-connector stiffener

Attention: align arrows!



Note: all (stop) nuts are located inside, the screws are all installed facing inwards, the same way onto the tub.



Connect the following parts using 35mm screws (torque 5Nm, slightly hand-tight):

- Item 9-4-1
- Item 1-6
- Item 5-3
- Item 5-4
- Item 5-6

Fasten the following parts using 40mm screws (torque 5Nm, slightly hand-tight):

- Item 8 and 3

Positioning of the side parts:

The designated holes are the connections to the tub, 12 screws in total:
8 screws of size M6x40mm, 4 screws of size M6x50mm.

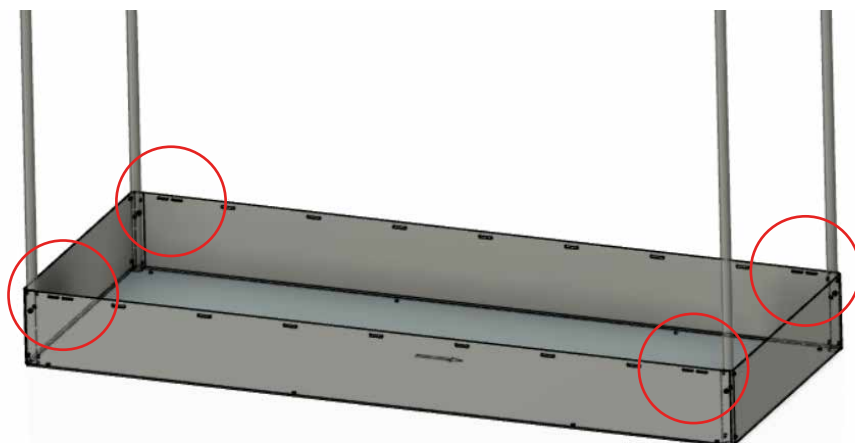


RED: 40mm screws
GREEN: 50mm screws for rubber cord holder



RED: 40mm screws
GREEN: 50mm screws for rubber cord holder





Positions of twist locks on the tub.